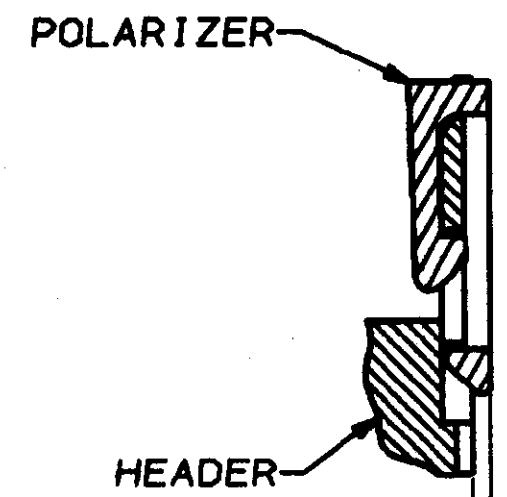
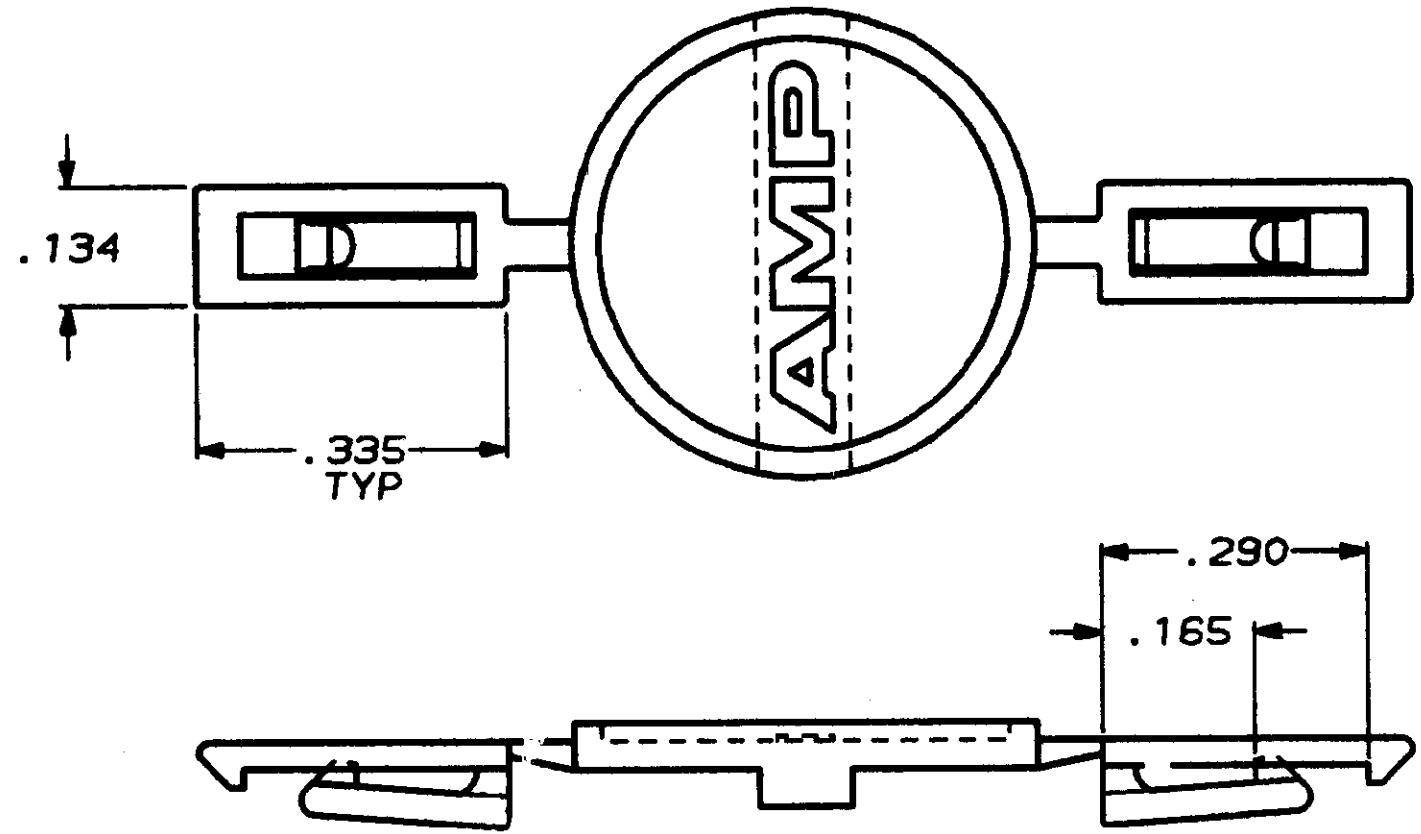


THIS DRAWING IS UNPUBLISHED. RELEASED FOR PUBLICATION , 19
© COPYRIGHT 19 BY AMP INCORPORATED. ALL INTERNATIONAL RIGHTS RESERVED.

REV	DATE	BY	ZONE	LTR	DESCRIPTION	DATE	APPD
49	AR	39		C	REDRAWN ON CAD	7-26-90	-



WHEN INSTALLED ON AN AMP HEADER, A POLARIZER WILL INCREASE THE HEADER WIDTH BY .02 INCH.

1000	499991-3
50	499991-2
PACKAGING QUANTITY	PART NUMBER

1. 499991-1 SUPERSEDED BY 499991-3.

DO NOT SCALE PRINT. UNLESS SPECIFIED DIMENSIONS IN INCHES TOLERANCES ON: 1/16" DEC * - 3/16" DEC * .005 ANGLES * -	DR 07/26/90 K.L. GONZALEZ APPD APPD PRCD	AMP Incorporated Allentown, PA 17105-3608	
	POLARIZER, SNAP-IN, AMP-LATCH™		
MATERIAL UL 94 V-0 RATED BLACK THERMOPLASTIC	FINISH -	APPLICATION SPEC -	WEIGHT -
SIZE B	CAGE CODE 00779	DRAWING NO 499991	SCALE 5:1
		SHEET 1 OF 1	

CUSTOMER DRAWING